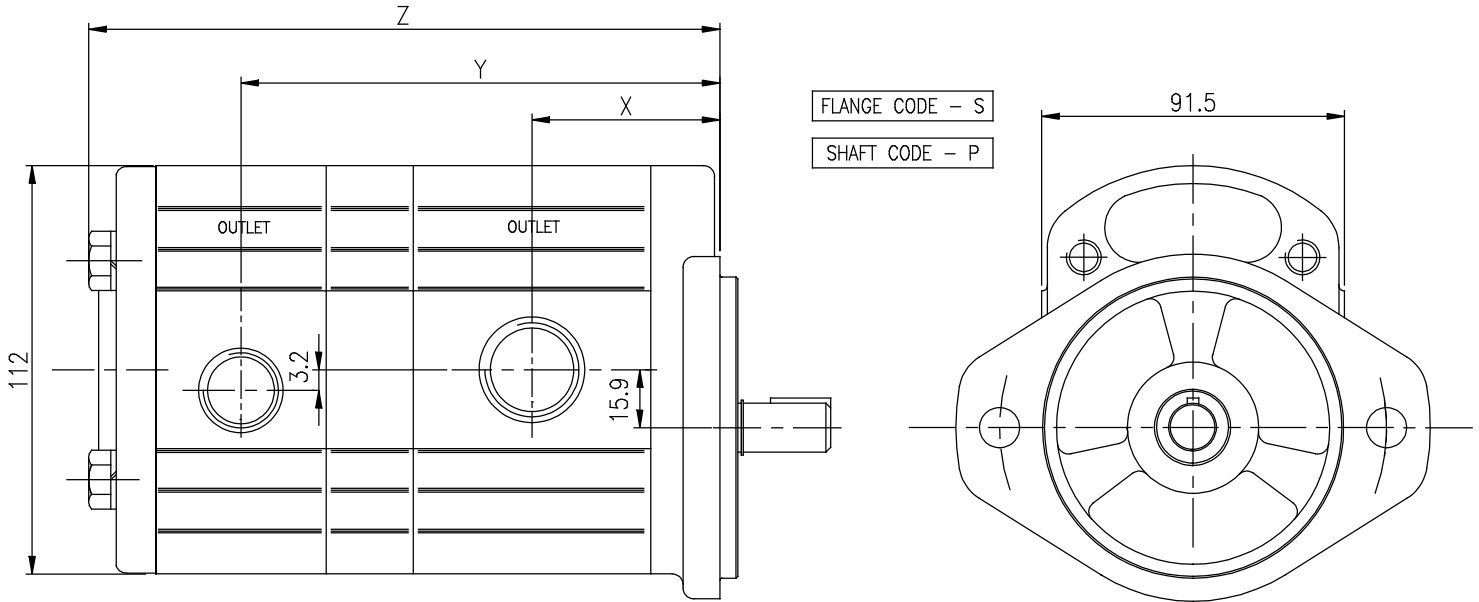


CROSS FRAME 1P-OP SERIES

INSTALLATION DIMENSIONS



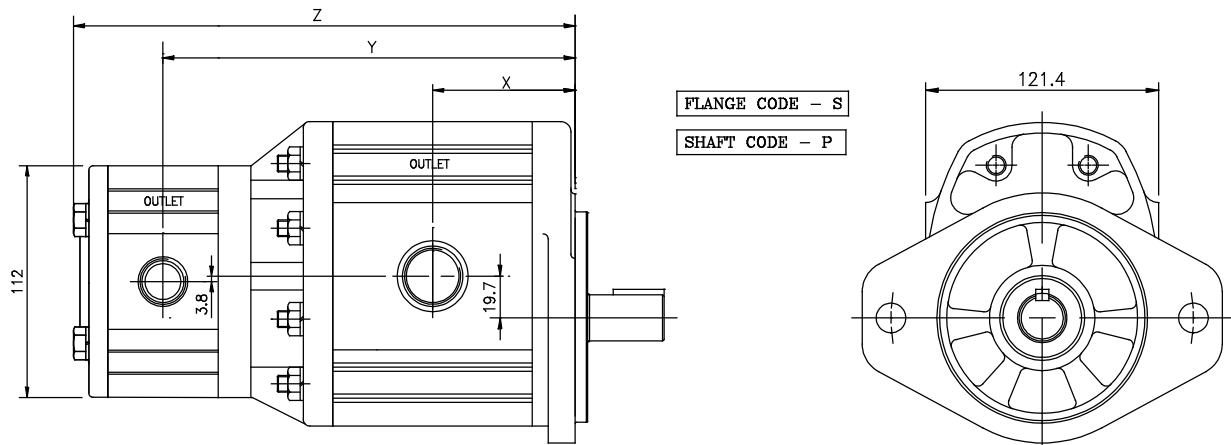
PUMP TYPE 1P - OP	DIMENSIONS		
	X	Y	Z
3017-3003	41.8	108.6	147.7
3017-3004	"	109.0	148.6
3017-3006	"	109.6	149.7
3017-3008	"	110.3	151.2
3017-3011	"	111.3	153.2
3017-3013	"	112.0	154.5
3017-3015	"	112.7	155.9
3020-3003	42.6	110.1	149.3
3020-3004	"	110.6	150.1
3020-3006	"	111.1	151.3
3020-3008	"	111.9	152.7
3020-3011	"	112.9	154.7
3020-3013	"	113.5	156.1
3020-3015	"	114.2	157.4
3020-3019	"	115.4	159.8
3028-3003	44.1	113.2	152.3
3028-3004	"	113.6	153.2
3028-3006	"	114.2	154.3
3028-3008	"	114.9	155.8
3028-3011	"	115.9	157.8
3028-3013	"	116.6	159.1
3028-3015	"	117.3	160.5
3028-3019	"	118.5	162.9
3028-3025	"	120.4	166.7
3036-3003	45.7	116.3	155.4
3036-3004	"	116.7	156.3

PUMP TYPE 1P - OP	DIMENSIONS		
	X	Y	Z
3036-3006	45.7	117.3	157.4
3036-3008	"	118.0	158.9
3036-3011	"	119.0	160.9
3036-3013	"	119.7	162.2
3036-3015	"	120.4	163.6
3036-3019	"	121.5	166.0
3036-3025	"	123.5	169.8
3044-3003	54.7	134.3	173.5
3044-3004	"	134.8	174.3
3044-3006	"	135.3	175.5
3044-3008	"	136.1	176.9
3044-3011	"	137.1	178.9
3044-3013	"	137.8	180.3
3044-3015	"	138.4	181.7
3044-3019	"	139.6	184.0
3044-3025	"	141.5	187.9
3052-3003	56.2	137.4	176.5
3052-3004	"	137.9	177.4
3052-3006	"	138.4	178.5
3052-3008	"	139.1	180.0
3052-3011	"	140.1	182.0
3052-3013	"	140.8	183.4
3052-3015	"	141.5	184.7
3052-3019	"	142.7	187.1
3052-3025	"	144.6	190.9
3060-3003	57.8	140.5	179.6

PUMP TYPE 1P - OP	DIMENSIONS		
	X	Y	Z
3060-3004	57.8	140.9	180.5
3060-3006	"	141.5	181.6
3060-3008	"	142.2	183.1
3060-3011	"	143.2	185.1
3060-3013	"	143.9	186.4
3060-3015	"	144.6	187.8
3060-3019	"	145.7	190.2
3060-3025	"	147.7	194.0
3072-3003	60.1	145.1	184.2
3072-3004	"	145.5	185.1
3072-3006	"	146.1	186.2
3072-3008	"	146.8	187.7
3072-3011	"	147.8	189.7
3072-3013	"	148.5	191.0
3072-3015	"	149.2	192.4
3072-3019	"	150.3	194.8
3072-3025	"	152.3	198.6
3090-3003	63.4	151.7	190.9
3090-3004	"	152.2	191.7
3090-3006	"	152.7	192.9
3090-3008	"	153.4	194.3
3090-3011	"	154.4	196.3
3090-3013	"	155.1	197.7
3090-3015	"	155.8	199.1
3090-3019	"	157.0	201.4
3090-3025	"	159.0	205.3

ALL DIMENSIONS ARE IN MM UNLESS SPECIFIED.

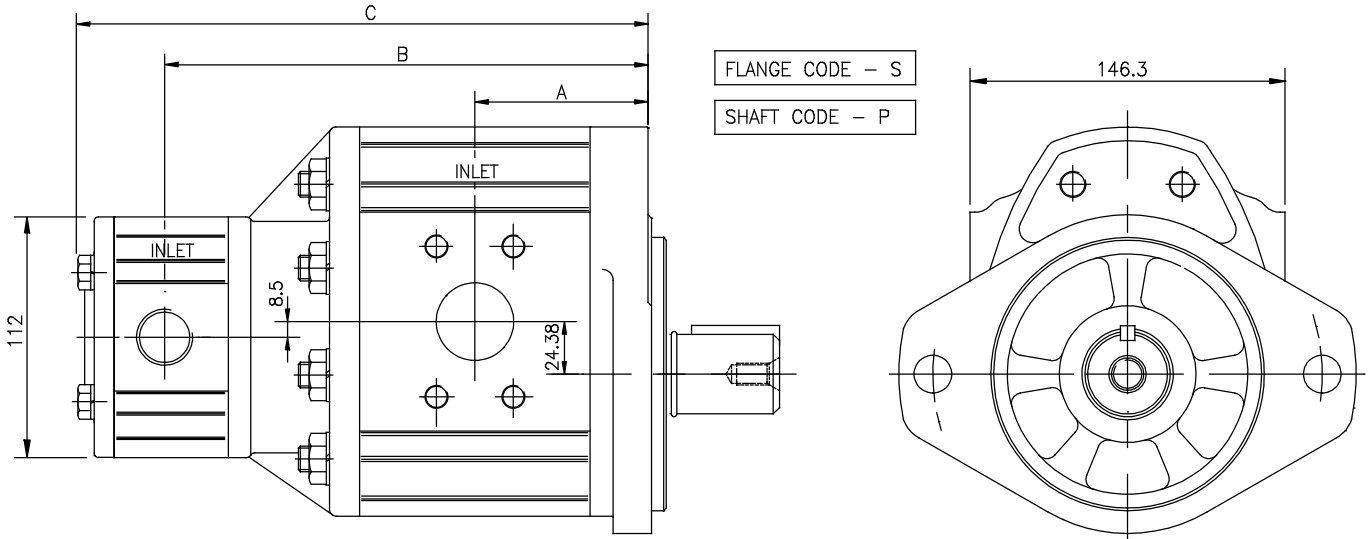
INSTALLATION DIMENSIONS



PUMP TYPE 2P-1P	DIMENSIONS		
	X	Y	Z
3220-3090	81.7	241.6	305.9
-3072	"	238.3	299.3
-3060	"	236.0	294.7
-3052	"	234.4	291.6
-3044	"	232.9	288.5
-3036	"	223.9	270.5
-3028	"	222.3	267.4
-3020	"	220.8	264.3
-3017	"	220.0	262.8
3158-3090	74.3	226.8	291.1
-3072	"	223.4	284.4
-3060	"	221.1	279.8
-3052	"	219.6	276.8
-3044	"	218.1	273.7
-3036	"	209.1	255.6
-3028	"	207.5	252.6
-3020	"	206.0	249.5
-3017	"	205.2	247.9
3146-3090	72.8	223.7	288.0
-3072	"	220.4	281.4
-3060	"	218.1	276.8
-3052	"	216.5	273.7
-3044	"	215.0	270.6
-3036	"	206.0	252.6
-3028	"	204.4	249.5
-3020	"	202.9	246.4
-3017	"	202.1	244.9
3120-3090	69.7	217.6	281.9
-3072	"	214.3	275.3
-3060	"	212.0	270.7
-3052	"	210.4	267.6
-3044	"	208.9	264.5
-3036	"	199.9	246.5

PUMP TYPE 2P-1P	DIMENSIONS		
	X	Y	Z
3120-3028	69.7	198.3	243.4
-3020	"	196.8	240.3
-3017	"	196.0	238.8
3105-3090	67.9	213.9	278.2
-3072	"	210.6	271.6
-3060	"	208.3	267.0
-3052	"	206.8	263.9
-3044	"	205.2	260.8
-3036	"	196.2	242.8
-3028	"	194.6	239.7
-3020	"	193.1	236.6
-3017	"	192.3	235.1
3090-3090	59.1	196.4	260.7
-3072	"	193.1	254.1
-3060	"	190.8	249.5
-3052	"	189.2	246.4
-3044	"	187.7	243.3
-3036	"	178.7	225.3
-3028	"	177.1	222.2
-3020	"	175.6	219.1
-3017	"	174.8	217.6
3070-3060	56.7	185.9	244.7
-3052	"	184.4	241.6
-3044	"	182.9	238.5
-3036	"	173.8	220.4
-3028	"	172.3	217.4
-3020	"	170.8	214.3
-3017	"	170.0	212.7
3050-3044	54.3	178.0	233.7
-3036	"	169.0	215.6
-3028	"	167.5	212.5
-3020	"	165.9	209.5
-3017	"	165.2	207.9

INSTALLATION DIMENSIONS

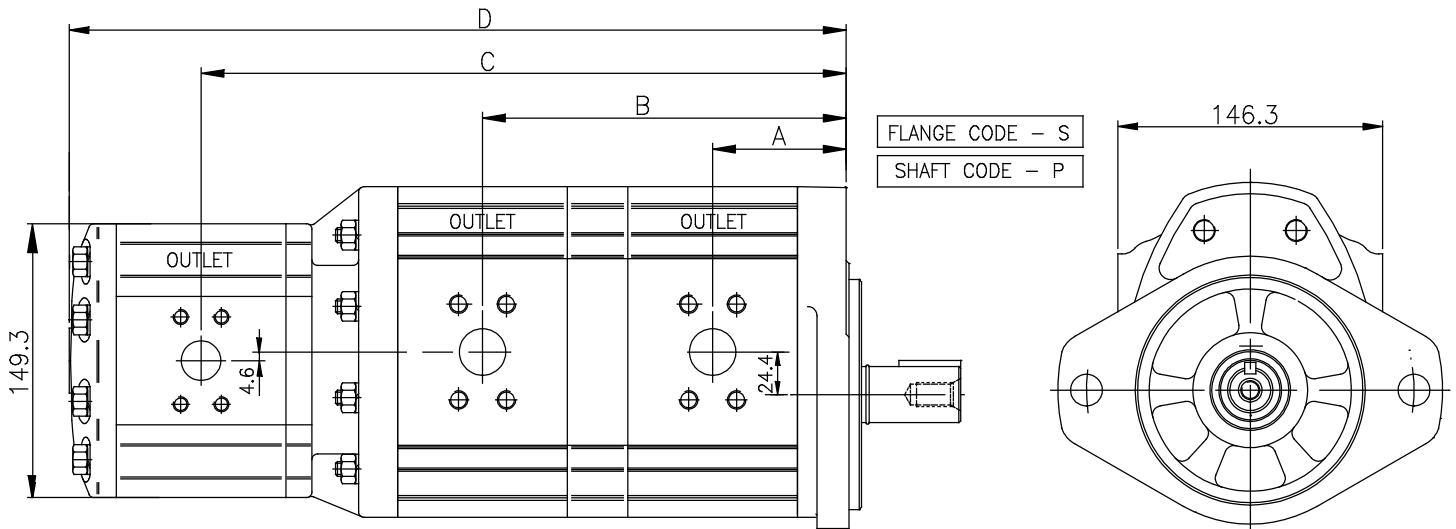


PUMP TYPE 3P-1P	DIMENSIONS		
	A	B	C
3150-3017	70.0	195.4	238.2
3150-3018	"	195.5	238.4
3150-3020	"	196.1	239.7
3150-3028	"	197.7	242.8
3150-3036	"	199.2	245.8
3150-3044	"	208.3	263.9
3150-3052	"	209.8	267.0
3150-3060	"	211.3	270.0
3150-3072	"	213.6	274.6
3150-3090	"	217.0	281.3
3180-3017	72.5	200.2	243.0
3180-3018	"	200.4	243.3
3180-3020	"	201.0	244.5
3180-3028	"	202.5	247.6
3180-3036	"	204.1	250.7
3180-3044	"	213.1	268.7
3180-3052	"	214.6	271.8
3180-3060	"	216.2	274.9
3180-3072	"	218.5	279.5
3180-3090	"	221.8	286.1
3210-3017	74.9	205.1	247.8
3210-3018	"	205.2	248.1
3210-3020	"	205.8	249.4
3210-3028	"	207.4	252.4
3210-3036	"	208.9	255.5
3210-3044	"	218.0	273.6
3210-3052	"	219.5	276.6
3210-3060	"	221.0	279.8
3210-3072	"	223.3	284.3
3210-3090	"	226.6	291.0

PUMP TYPE 3P-1P	DIMENSIONS		
	A	B	C
3250-3017	78.1	211.4	254.2
3250-3018	"	211.6	254.5
3250-3020	"	212.2	255.7
3250-3028	"	213.7	258.1
3250-3036	"	215.3	261.9
3250-3044	"	224.3	280.0
3250-3052	"	225.8	283.0
3250-3060	"	227.4	286.1
3250-3072	"	229.7	290.7
3250-3090	"	233.0	297.4
3300-3017	82.0	219.3	262.1
3300-3018	"	219.5	262.4
3300-3020	"	220.1	263.6
3300-3028	"	221.6	266.7
3300-3036	"	223.2	269.8
3300-3044	"	232.2	287.8
3300-3052	"	233.7	290.9
3300-3060	"	235.3	294.0
3300-3072	"	237.6	298.6
3300-3090	"	240.9	305.2
3330-3017	84.6	224.5	267.2
3330-3018	"	224.6	267.5
3330-3020	"	225.3	268.8
3330-3028	"	226.8	271.9
3330-3036	"	228.3	274.9
3330-3044	"	237.4	293.0
3330-3052	"	238.9	296.1
3330-3060	"	240.4	299.1
3330-3072	"	242.7	303.7
3330-3090	"	246.1	310.4

PUMP TYPE 3P-1P	DIMENSIONS		
	A	B	C
3380-3017	88.6	232.5	275.3
3380-3018	"	232.7	275.6
3380-3020	"	233.3	276.8
3380-3028	"	234.8	279.9
3380-3036	"	236.4	282.9
3380-3044	"	245.4	301.0
3380-3052	"	246.9	304.1
3380-3060	"	248.5	307.2
3380-3072	"	250.8	311.8
3380-3090	"	254.1	318.4
3500-3017	98.9	253.0	295.8
3500-3018	"	253.2	296.1
3500-3020	"	253.8	297.3
3500-3028	"	255.3	300.4
3500-3036	"	256.9	303.5
3500-3044	"	265.9	321.5
3500-3052	"	267.4	324.6
3500-3060	"	269.0	327.7
3500-3072	"	271.3	332.3
3500-3090	"	274.6	338.9

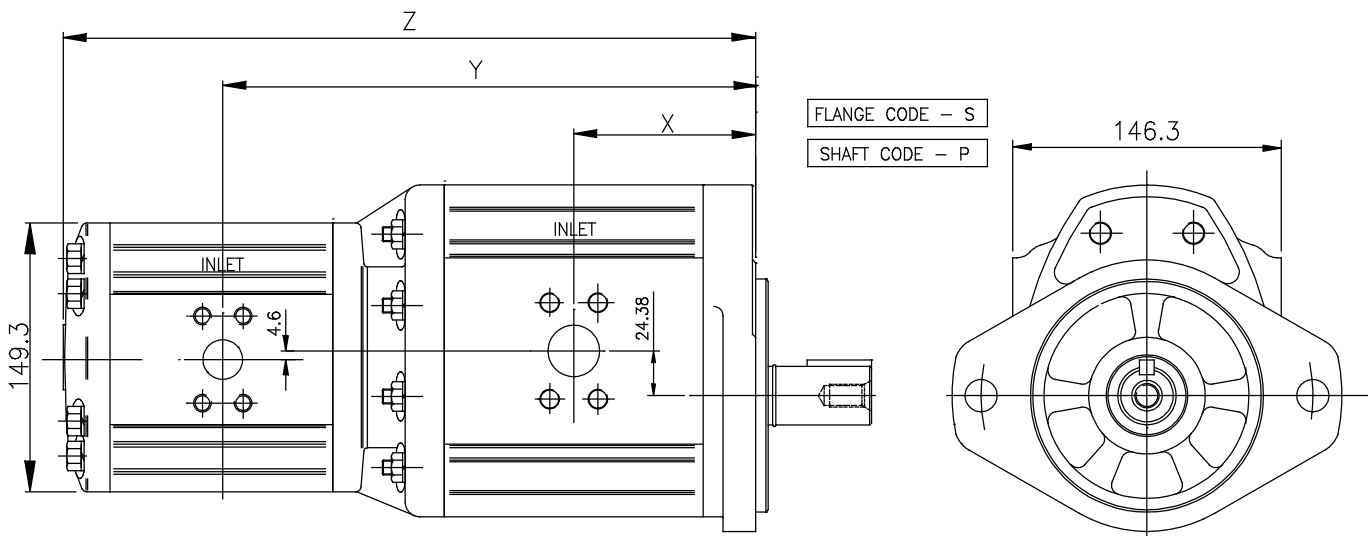
INSTALLATION DIMENSIONS



SI.No	PUMP TYPE-3P 3P 2P	DIMENSIONS			
		A	B	C	D
01	3P 3P 2P 3150 3150 3120	70.0	193.8	344.5	418.3
02	3P 3P 2P 3150 3150 3090	70.0	193.8	334.0	397.1
03	3P 3P 2P 3180 3180 3050	72.5	201.1	338.8	397.2
04	3P 3P 2P 3180 3180 3070	72.5	201.1	341.2	402.0
05	3P 3P 2P 3210 3210 3070	74.8	208.3	350.9	411.7
06	3P 3P 2P 3210 3210 3090	74.8	208.3	353.3	416.5
07	3P 3P 2P 3210 3210 3105	74.8	208.3	362.0	434.0
08	3P 3P 2P 3210 3210 3146	74.8	208.3	366.9	443.8
09	3P 3P 2P 3250 3250 3090	78.0	217.9	366.0	429.2
10	3P 3P 2P 3330 3330 3158	84.6	237.6	407.3	485.7
11	3P 3P 2P 3380 3180 3050	88.6	233.4	371.0	429.5

ALL DIMENSIONS ARE IN MM UNLESS OTHERWISE SPECIFIED

INSTALLATION DIMENSIONS



PUMP TYPE 3P-2P	DIMENSIONS		
	X	Y	Z
3500-3220	98.9	290.4	376.2
-3158	"	283.0	361.4
-3146	"	281.4	358.3
-3120	"	278.4	352.2
-3105	"	276.5	348.5
-3090	"	267.8	331.0
-3070	"	265.4	326.2
-3050	"	263.0	321.4
3380-3220	88.6	269.9	355.7
-3158	"	262.5	340.9
-3146	"	260.9	337.8
-3120	"	257.9	331.7
-3105	"	256.0	328.0
-3090	"	247.3	310.5
-3070	"	244.9	305.7
-3050	"	242.4	300.8
3330-3220	84.6	261.9	347.7
-3158	"	254.4	332.9
-3146	"	252.9	329.8
-3120	"	249.9	323.7
-3105	"	248.0	320.0
-3090	"	239.2	302.5
-3070	"	236.8	297.7
-3050	"	234.4	292.8
3300-3220	82.0	256.7	342.5
-3158	"	249.3	327.7
-3146	"	247.7	324.6
-3120	"	244.7	318.5
-3105	"	242.8	314.8
-3090	"	234.0	297.3
-3070	"	231.7	292.5
-3050	"	229.3	287.7

PUMP TYPE 3P-2P	DIMENSIONS		
	X	Y	Z
3250-3220	78.1	248.8	334.6
-3158	"	241.4	319.8
-3146	"	239.8	316.7
-3120	"	236.8	310.6
-3105	"	234.9	306.9
-3090	"	226.2	289.4
-3070	"	223.7	284.6
-3050	"	221.4	279.8
3210-3158	74.9	235.0	313.4
-3146	"	233.5	310.4
-3120	"	230.4	304.3
-3105	"	228.6	300.6
-3090	"	219.8	283.1
-3070	"	217.4	278.2
-3050	"	215.0	273.4
3180-3158	72.5	230.2	308.6
-3146	"	228.6	305.5
-3120	"	225.6	299.4
-3105	"	223.8	295.7
-3090	"	215.0	278.2
-3070	"	213.6	273.4
-3050	"	210.2	268.6
3150-3146	70.0	223.8	300.7
-3120	"	220.7	294.6
-3105	"	218.9	290.9
-3090	"	210.1	273.4
-3070	"	207.7	268.5
-3050	"	205.3	263.7